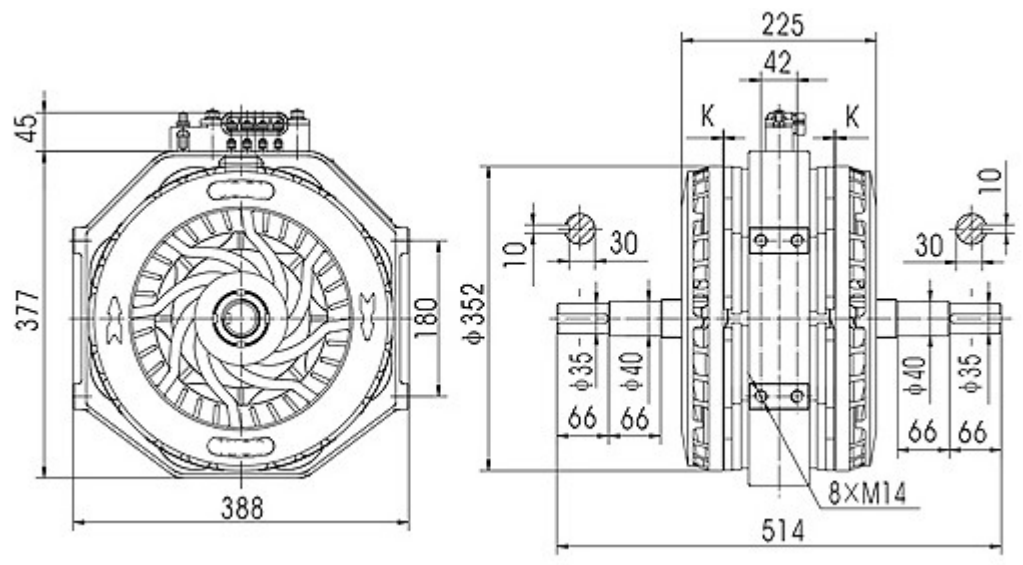
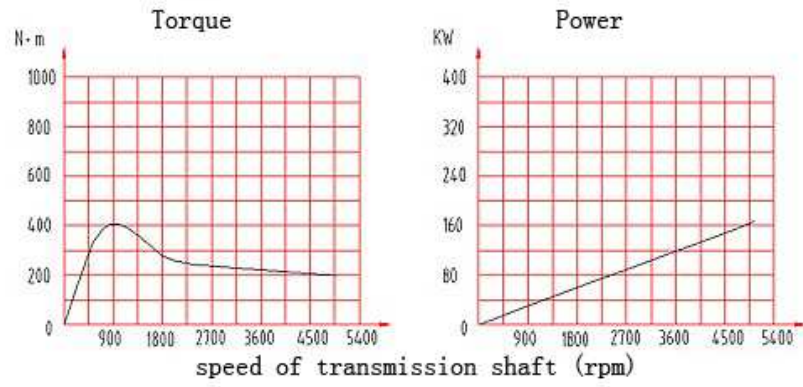


Please see the attachment for the information you need.
If you have any questions, please be free to contact with me.

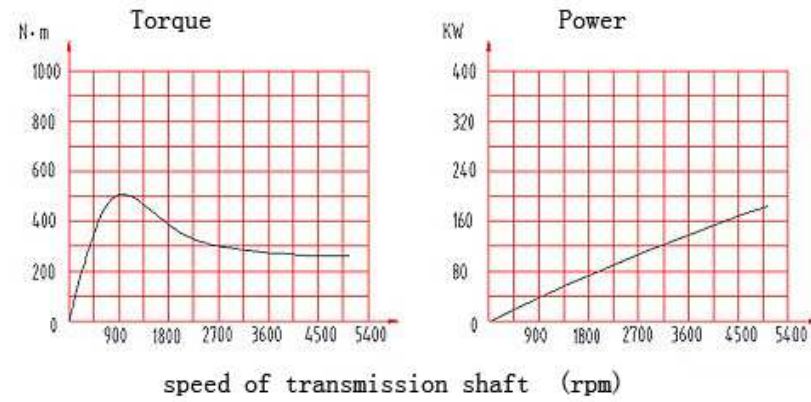
Best regards,
Barbara
Zhejiang Rebang Machinery Co., Ltd
Tel: 00 86 13616821341
E-mail: barbaranimin@yahoo.cn



Dimension of the retarder model RB04, RB05 and RB07. (The shaft dimension could be custom-made)

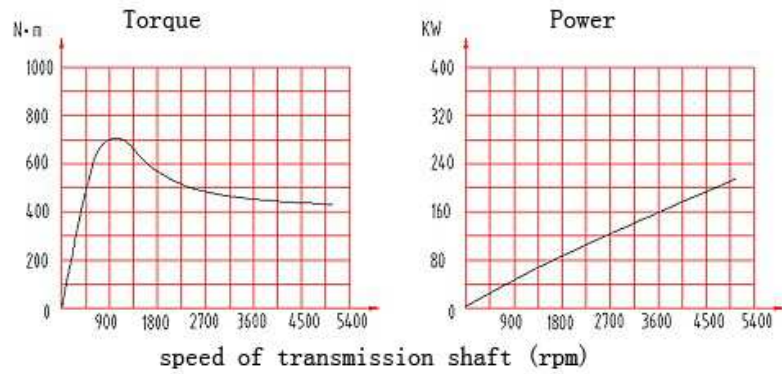


curves of the retarder model RB04

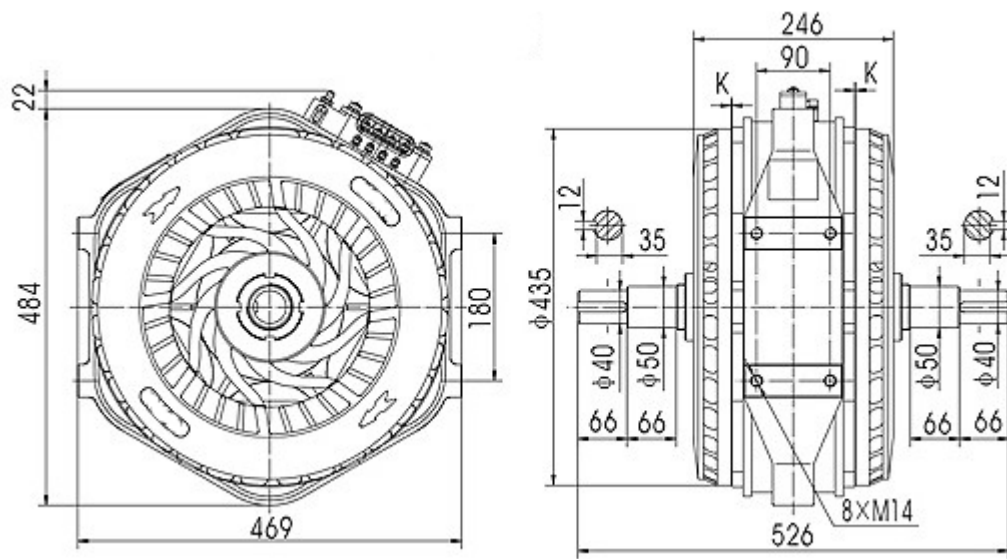


Performance curves of the retarder model RB05

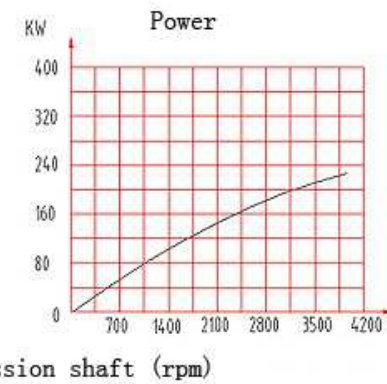
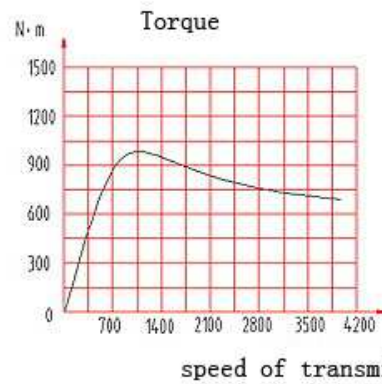
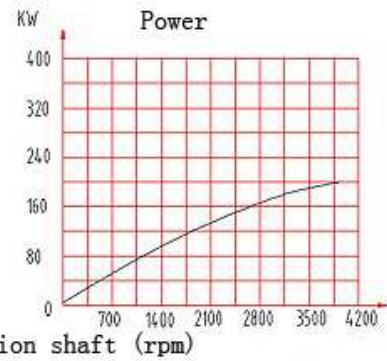
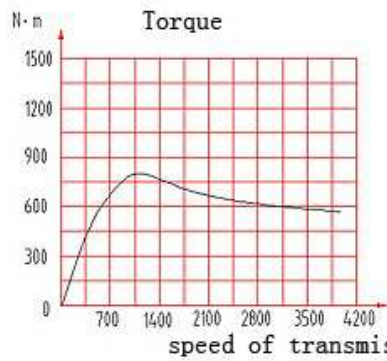
Performance



Performance curves of the retarder model RB07



Dimension of the retarder model RB08 and RB10. (The shaft dimension could be custom-made)



Performance curves of the retarder model RB08

Performance curves of the retarder model RB10

PRICELIST

MODEL	MAX TORQUE(N.m)	POWER(Kw)	MAX SPEED(RPM)	FOB NINGBO PRICE(USD)
RB04	400	65	5300	\$1250
RB05	500	85	5300	\$1350
RB07	700	120	5300	\$1430
RB08	800	130	4000	\$1530
RB10	1000	150	4000	\$1630

The general voltage is 196V, and it could be custome-made to 96v, 114v, and 24v.